

Avi-on Side/Bottom Mount PIR Sensor

AVI-KIT-SEN-IFM-24-BLE



* Includes hardware to Side and Bottom mount sensor

Avi-on Bi-level PIR Occupancy Knockout/Junction Box Mount Sensor for 8' to 40' Mounting Heights

Kit includes High Bay (AVI-KIT-SEN-IFM-24-BLE-HBL) or Low Bay Lens (AVI-KIT-SEN-IFM-24-BLE-LBL)

Application Usage

Avi-on Bluetooth Sensors operate as a stand alone node within the Avi-on mesh platform. This allows for flexibility in install location. Use the Avi-on App (iOS or Android) for setup and subsequent sensor adjustments. The mobile application enables adjustment of sensor parameters such as time delay, dim level, sensitivity, ambient light level, and more.

Sensor Features

The Avi-on PIR sensor uses digital PIR Motion Detection Architecture and Quad Element passive infrared (PIR) technology for accurate detection coverage.

Overview

- Digital PIR Detection
- Photocell for Day/Night Operation
- Time delay 1 adjustable 15 sec to 180 min
- Time delay 2 adjustable 15 sec to 90 min, ∞
- Restrictions based on Code Compliance
- LED Motion indicator
- Mounting height up to 40 ft (12.2 m)
- 360° coverage pattern
- App Configurable Motion Sensitivity
- App Adjustable delay and dim levels
- Add a AVI-SEN-IARH-24-BLE to include Daylight Harvesting

The Avi-on PIR sensor is a Class 2 Device designed to comply with CA Title 24, IECC, IgCC and ASHRAE requirements.

Modes

- Mode Scheduling
- Occupancy Mode with Bi-level Dimming
- Vacancy Mode
- Photocell Mode with Sensitivity Control
- On at Last Dim Level
- Hold at Dimmed Level

Warranty

Five-year limited warranty.
Complete warranty terms located at:
<http://avi-on.com/warranty>

Note: Actual performance may vary as a result of environment and application. Specifications subject to change without notice

Parts and Ordering

Controllers

Name	Description	Part Number
Avi-on PIR Sensor with Low Bay Lens	Fixture Mounting Heights from 8' to ~30'	AVI-KIT-SEN-IFM-24-BLE-LBL
Avi-on PIR Sensor with High Bay Lens	Fixture Mounting Heights from 24' to 40'	AVI-KIT-SEN-IFM-24-BLE-HBL

To order please contact Avi-on sales at
(877) AVION-US, (877) 284-6687 or
prosales@avi-on.com
 for information on becoming an Avi-on partner and order details.

Case Dimensions (Excluding Wires)

Part	Length (in)	Width (in)	Height (in)
Avi-on PIR Sensor without Lens	2.91	2.91	2.75
Highbay Lens		2.4	.83
Lowbay Lens		2.4	.83

Certifications

Regulatory	Description
USA	FCC: ZZ0 WCM-01
UL	E341446

Specifications

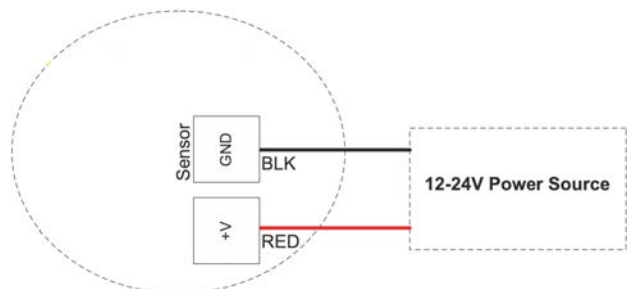
Specification	Range
Sensor Type	Quad Element PIR
Time Delay 1	15 sec to 1 hr 30 min
Time Delay 2	15 sec to 1 hr 30 min, ∞
Max Detection Area	12m Mounting / 24m Diameter

Specification	Range
Operating Temperature	-30° C to 70° C
Storage Temperature	-40° C to 80° C
Relative Humidity	90-95% Non-condensing
IP Rating	IP65

Wiring / Power

Input Voltage	Max Current
12-24 VDC	50mA

Avi-on sensors require 12-24 VDC power which can be supplied by a compatible driver with an Aux out or the AVI-PS-277-12-250 power supply (sold separately).



Product Diagrams

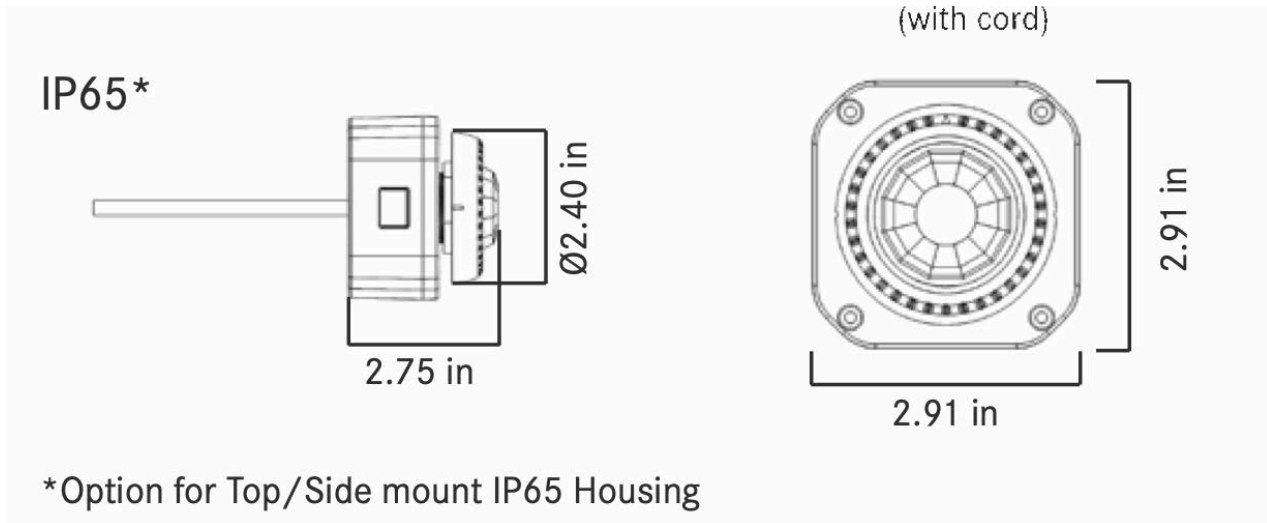


Figure 1. Avi-on PIR Sensor Dimensions

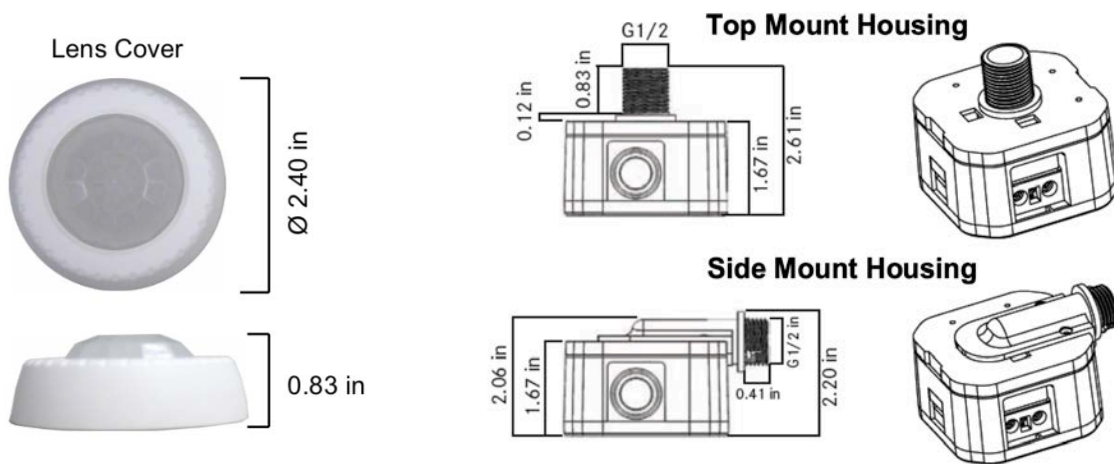


Figure 2. Installation Examples

Product Diagrams

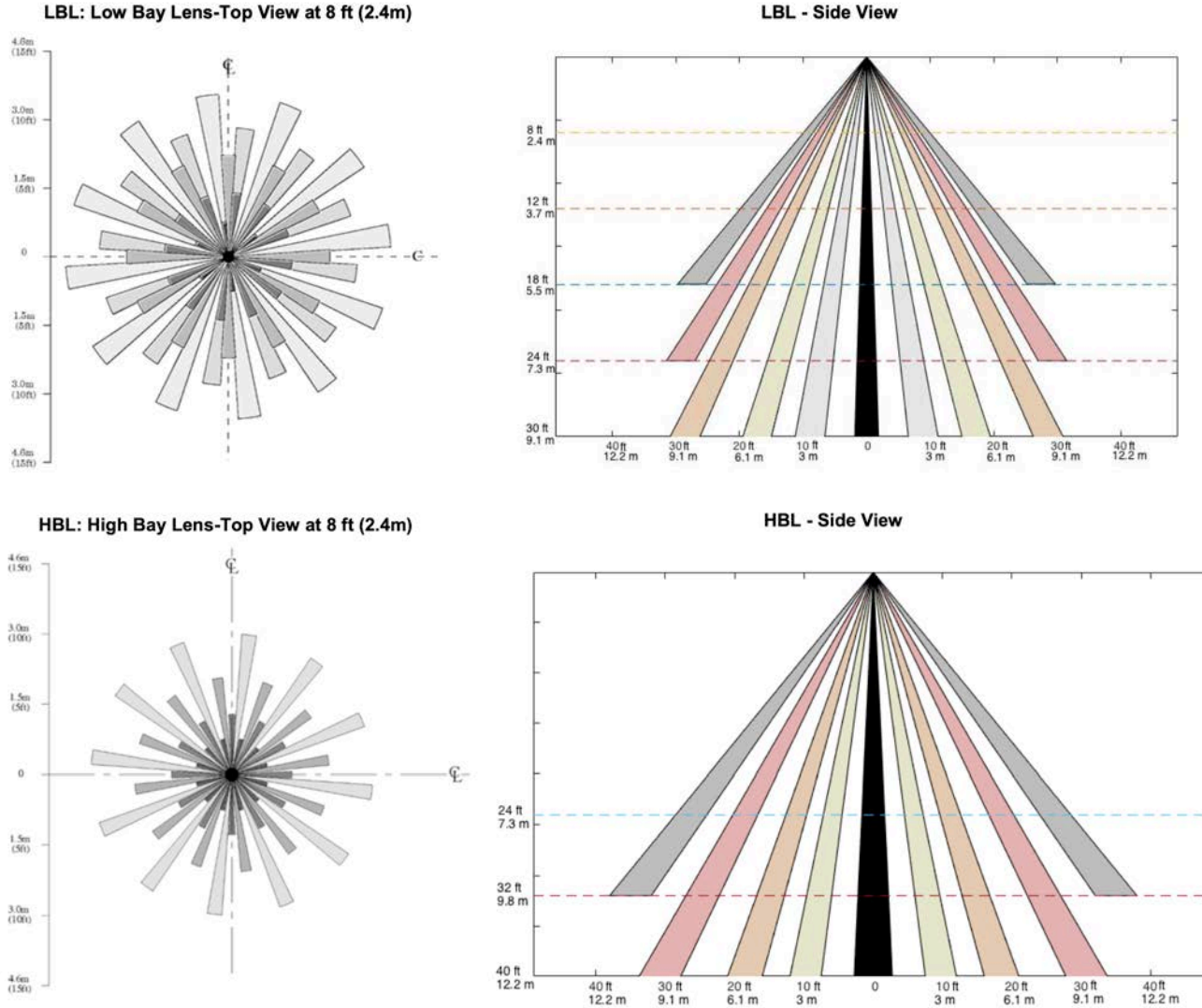


Figure 3. Detection Area



ALL PRODUCT, PRODUCT SPECIFICATIONS AND DATA ARE SUBJECT TO CHANGE WITHOUT NOTICE TO IMPROVE RELIABILITY, FUNCTION OR DESIGN OR OTHERWISE.

The information contained herein is believed to be reliable. Avi-on makes no warranty, representation or guarantee regarding the information contained herein, the suitability of the products for any particular purpose, or the continuing production of any product. Avi-on assumes no responsibility or liability whatsoever for the use of the information contained herein.

The information contained herein, or any use of such information does not grant, explicitly or implicitly, to any party any patent rights, licenses, or any other intellectual property rights, whether with regard to such information itself or anything described by such information.