

# Fixture Adapters

## Easy, quick integration by Avi-on



Avi-on Fixture Adapters are DC-powered adapters that enable Bluetooth® wireless lighting controls for on/off, dimming and tunable white functions for dim-to-off drivers. The compact design incorporates the antenna and all controls needed to interface with the Avi-on App, providing a ready Powered by Avi-on™ platform that supports grouping, scheduling, timers and scene management.

## Fixture Adapter Features

### 0-10V Dimming

All Fixture Adapters provide 0-10V output fixture controls, with dim to off capability.

### Tunable White

All dual channel Fixture Adapters provide a second 0-10V output which may be used for tunable white applications, allowing for adjustment of LED color temperature (CCT) along with dimming.

### Persistent Memory

Fixture Adapters have internal non-volatile memory which preserves device settings, including groups and schedules, through power cycles.

### Antennas for Every Application

Multiple antenna options are available for indoor and outdoor applications without re-certification, including integrated internal antennas and interchangeable external antennas.

### Compact Size

All Fixture Adapters are 58mm x 38mm (L x W). The 0-10V only devices are 14mm high.

### 12-18VDC or 12-48VDC

12-18VDC or 12-48VDC options available, both in single or dual channel 0-10V outputs

## Parts and Ordering

### Controllers

Supply Voltage	Channels	Antenna	Part Number
11 - 18VDC	Single	Monopole (Wire Whip)	<b>2110UFL</b>
11 - 18VDC	Dual	Monopole (Wire Whip)	<b>2210UFL</b>
11 - 18VDC	Single	Outdoor	<b>2110UFL + 6211ANT</b>

To order please contact Avi-on sales at  
**(877) AVION-US**, (877) 284-6687 or  
**[prosales@avi-on.com](mailto:prosales@avi-on.com)**  
 for information on becoming an Avi-on partner and order details.

## Detailed Specifications

### Electrical

11 - 18 VDC Specifications	Min	Max	Unit
Supply Voltage $V_{in} - GND$	11	18	V
Operating Current	17	25	mA

Combined Specifications (All Adapters)	Min	Max	Unit
Output Voltage 0-10V_OUT	Single	-0.24	V
Storage Temperature	Dual	-40	°C
Ambient Operating Temperature	Single	-30	°C

### Wire Connections

Signal Name	Wire Color	Description
GND	BLACK	DC Ground. Multiple BLACK wires are all Common Ground and may be used interchangeably.
Vin	RED	DC Power Input
0-10V_OUT[0]	VIOLET	User controllable 0-10VDC. Available in single and dual channel devices.
0-10V_OUT[1]	BLUE	User controllable 0-10VDC. Available in dual channel devices only.
GND	GRAY	DC Ground. Multiple BLACK wires are all Common Ground and may be used interchangeably.
Relay_Out	WHITE	Relay Control Voltage Output. Available in Relay Fixture Adapters only.

### Case Dimensions (Excluding Wires)

Part	Length (mm)	Width (mm)	Height (mm)
ALL	58	38	14

### Wire Dimensions

Part	Length (mm outside of case)
ALL	150

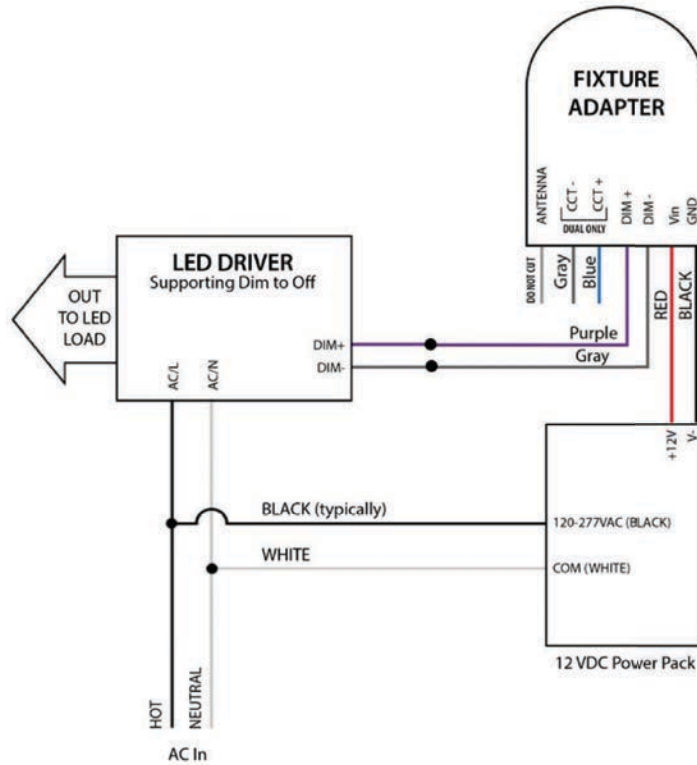
### Certifications

Regulatory	Description
USA*	FCC: 2AFZI-AV11010 B
EU	E: 0700 Model: AV11010-B
Canada	IC: 20544-AV11010 B
BQB	DID: D031801 Qualified Design ID: 86303

*\*UL not required, Fixture Adapters are low voltage DC-power devices.*

## Product Diagram

For LED drivers with 0-10V dimming and dim-to-off capability, an Avi-on standard Fixture Adapter may be used to control dimming and dim-to-off. Most 12 VDC power supplies are compatible to power the fixture adapter (a 12 VDC power pack is used in the diagram). In some cases, the LED driver may support an auxiliary DC output capable of supplying fixture adapter power, in which case the power pack may be eliminated. The fixture adapter is designed for individual power control.



**Figure 1. Avi-on Fixture Adapter for LED Drivers with Dim-to-off**

ALL PRODUCT, PRODUCT SPECIFICATIONS AND DATA ARE SUBJECT TO CHANGE WITHOUT NOTICE TO IMPROVE RELIABILITY, FUNCTION OR DESIGN OR OTHERWISE. The information contained herein is believed to be reliable. Avi-on makes no warranty, representation or guarantee regarding the information contained herein, the suitability of the products for any particular purpose, or the continuing production of any product. Avi-on assumes no responsibility or liability whatsoever for the use of the information contained herein. The information contained herein, or any use of such information does not grant, explicitly or implicitly, to any party any patent rights, licenses, or any other intellectual property rights, whether with regard to such information itself or anything described by such information.

