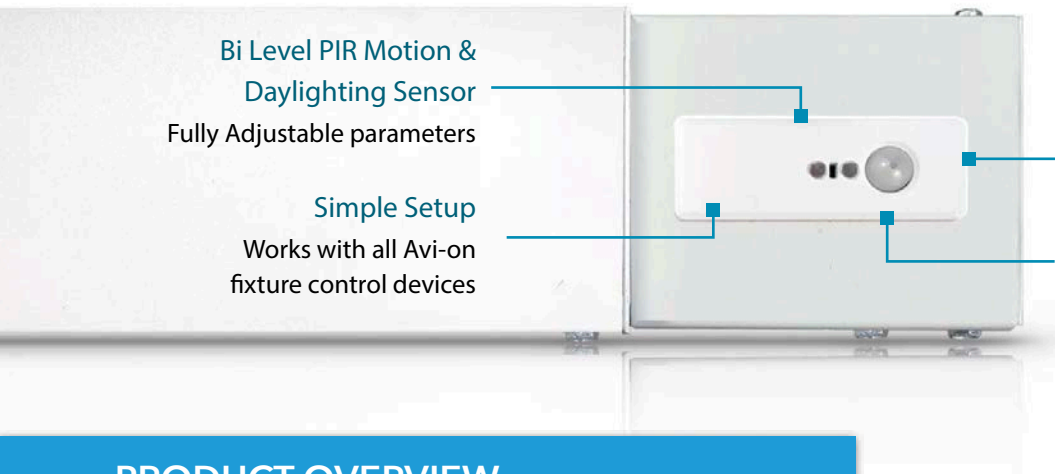


# Avi-on In-Fixture OEM PIR/Daylight Sensor

**Works All Avi-on In-Fixture Controllers**



**Bi Level PIR Motion & Daylighting Sensor**  
Fully Adjustable parameters

**Simple Setup**  
Works with all Avi-on fixture control devices

**Easy In-Fixture Integration**  
Daylighting and PIR in a single compact unit

**High Resolution Lens & Sensor**  
A single product suited for general indoor open space, hallways, schools and offices at 8'-10' mounting heights

## PRODUCT OVERVIEW

### Description

The Avi-on® In Fixture PIR Sensor provides motion detection and/or daylight harvesting in a single compact unit. Suitable for OEM integration into troffer, strips, and other indoor, fixtures, creating a cost effective and truly wireless plug and play solution to almost any office/indoor lighting application. The PIR and Daylight sensor meets all code requirements including the ability to support Luminaire Level Lighting Control (LLLC), IEE 2018, ASHRAE 90.1 and Title 24. Despite having a sensor in every fixture, the lights can be configured to control in zones, eliminating “popcorn ceiling” so common in other sensor per fixture products. The Avi-on network auto detects the sensor locations and commissions into the system with its associated fixture, making commissioning truly simple. Configuration is done using the Avi-on mobile app, laptop commissioning tools, and cloud IoT Services remotely or on-site.

The CS2 PIR sensor is powered by any Avi-on fixture mounted control devices including the IFAC, LVFA, or XFAC product lines using a provided Direct Connect™ 3 ft cable.

### Operation

The motion sensor supports a wide array of control strategies including Occupancy, Vacancy, Bi-Level, on individual fixtures or zone based operation. Daylight sensing can apply to zones of fixtures as required by code. The sensor operations can be scheduled for different times of day as well.

### Applications

The fixture integrated design make this sensor a great solution for indoor, institutional and office applications such as commercial spaces, offices, schools or common areas. The high lens allows for mounting heights ranging from 8ft to 10ft. Sensitivity levels, dimming levels, and timeouts for different applications are easily set locally or remotely using the Avi-on commissioning Digital Toolkit.

## ORDERING INFORMATION

Part Number	Description	Application	Color
AVI-DC-CS2-PIR	OEM Fixture Mounted PIR & Daylighting Sensor & 1m Cable	In-fixture	White

To order please contact Avi-on sales at **(877) AVION-US**, (877) 284-6687 or [prosales@avi-on.com](mailto:prosales@avi-on.com) for information on becoming an Avi-on partner and order details.

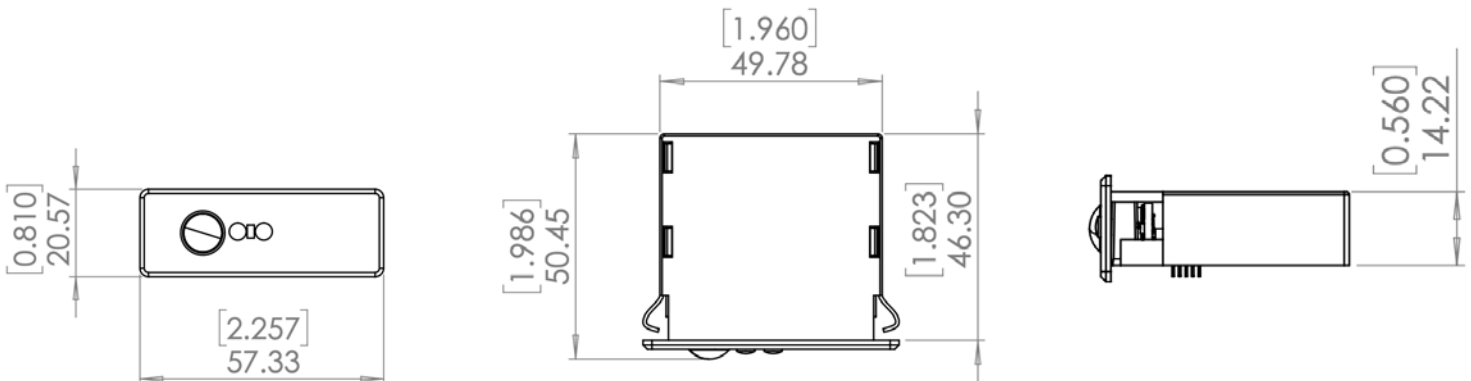
Project	Location/Type

## SPECIFICATIONS

<b>Height Range:</b>	8ft-10ft (2.5m-3.05m)	<b>Operating Modes:</b>	Occupancy, vacancy, UV-C safety, bi-level, dim-to-specified level (never off), schedule driven, control zones or individual fixtures
<b>Connection:</b>	Avi-on Direct Connect™ Cable included (Power and Communications from an Avi-on Fixture Control Device)	<b>Occupancy Sensor:</b>	Quad element high sensitivity, 360°
<b>Dimensions:</b>	.81 in x 2.26 in x 1.99 in (20.6mm x 57.3mm x 50.5mm)	<b>Lens:</b>	Optimized for detecting large and small motion at office type mounting heights (8-12 ft)
<b>PIR Head Mounting (Fixture Only):</b>	Integrated Fixture (H.E Williams 75L Flat Lens LED Strip light series compatible)	<b>Time Delays:</b>	15 sec - 1h 30 min adjustable via network (20 min default)
<b>Weight:</b>	0.7oz (20g)	<b>Daylight Harvesting:</b>	Open or closed loop (0-1020 Lux)
<b>Wiring:</b>		<b>Daylighting Range:</b>	360° x 90°
<b>Fixture Control Compatibility:</b>	AVI-LVFA-12-24VDC-1CH, AVI-LVFA-12-24VDC-2CH, AVI-IFAC-5A, AVI-IFAC-5A-2CH, AVI-XFAC-16A-1CH-CL1-IF	<b>Spacial Coverage:</b>	360 x 90°
<b>Operating Temp:</b>	-22F to +122F (-30C to +50C)	<b>Warranty:</b>	5 years; 10 years optional
<b>Storage Temperature:</b>	-40F to +185F (-40C to +85C)	<b>Certifications:</b>	UL 916 (Indoor)
<b>Humidity Rating:</b>	10 - 80% non-condensing		
<b>Programming:</b>	Via Avi-on platform Digital Toolbox: Mobile, laptop, remote, local. Program single or a groups of sensors at once		

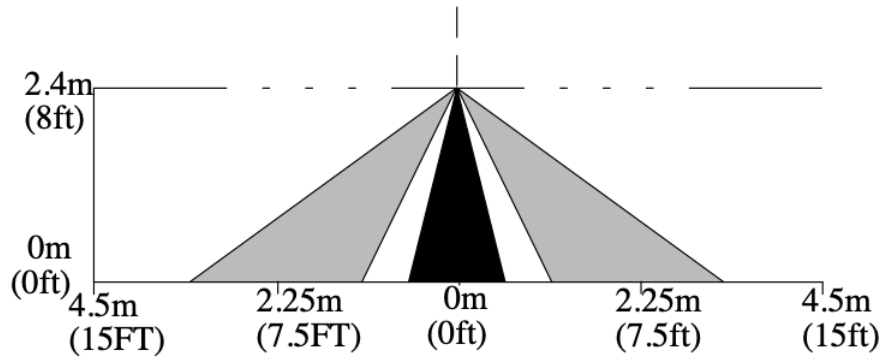
\* Note: Operating controller at or above these levels may result in damage to components/product

## DIMENSIONS

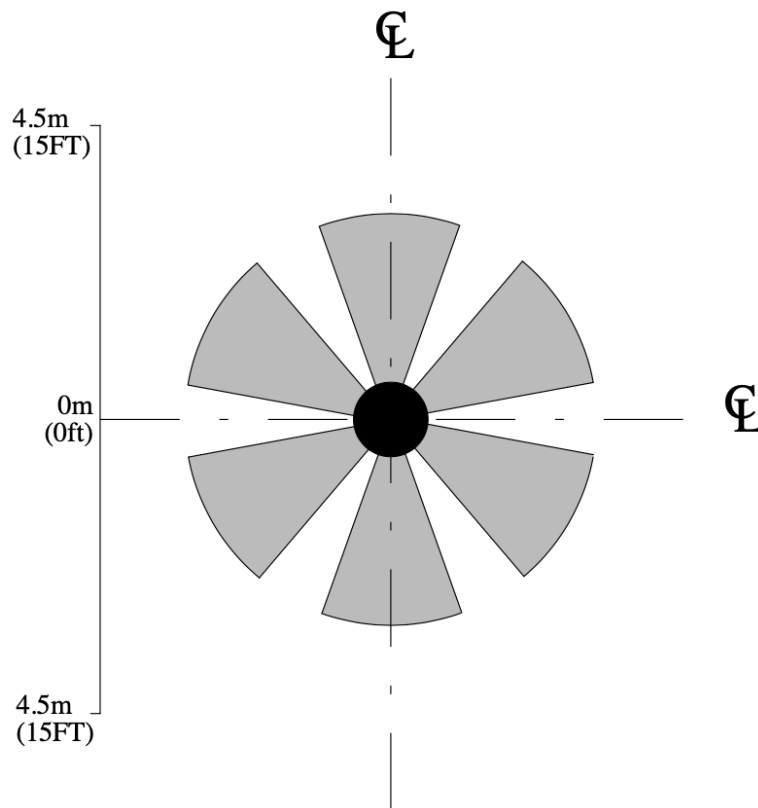


## COVERAGE CHARTS

### Side View



### Top View



ALL PRODUCT, PRODUCT SPECIFICATIONS AND DATA ARE SUBJECT TO CHANGE WITHOUT NOTICE TO IMPROVE RELIABILITY, FUNCTION OR DESIGN OR OTHERWISE. The information contained herein is believed to be reliable. Avi-on makes no warranty, representation or guarantee regarding the information contained herein, the suitability of the products for any particular purpose, or the continuing production of any product. Avi-on assumes no responsibility or liability whatsoever for the use of the information contained herein. The information contained herein, or any use of such information does not grant, explicitly or implicitly, to any party any patent rights, licenses, or any other intellectual property rights, whether with regard to such information itself or anything described by such information.

